

SPECIFICATIONS

Model	7x50WA	10x50WA	12x50WA	16x50	20x50
Objective Lens, mm	50	50	50	50	50
Magnification, x	7	10	12	16	20
Eye Relief, mm	21	14	12	10	10
Field of view m/ft @ 1000 m/yds	115/377	114/374	96/315	70/230	56/184
Length, mm/in	200/7.9	193/7.6	185/7.3	185/7.3	185/7.3
Weight, kg/oz	1.03/36.3	1.03/36.3	1.0/35.3	1.02/36.0	0.99/34.9

INSTRUCTIONS

These instructions will familiarize you with the Futurus prismatic binoculars.

This range of the Futurus binoculars has a wide field of view, long eye relief and zoom capability with smooth adjustment for magnification.

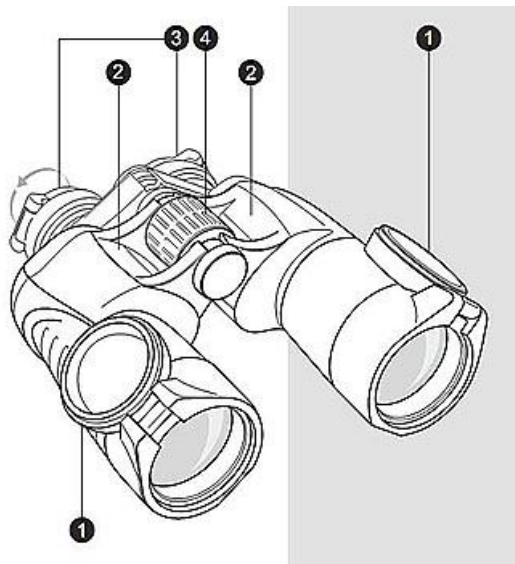
The Futurus binoculars will be your perfect companion for:

- studying wild life
- observing sporting events
- tourism and leisure purposes
- and security measures etc.

WARNING: Do not look at the sun through these binoculars. Do not disassemble.

OPERATION

1. Open protective cups from objective lenses (1) and eyepieces (3).
2. Adjust binoculars for your eye span by bringing optical axes (2) closer or moving them further apart.
3. Set up your preferred dioptrical setting, focusing the left eye by turning the central focusing wheel (4) until the image is sharp. Adjust the right eye for the sharpest picture by rotating the right eyepiece (3). Dioptrical adjustment usually needs to be set up only once, and should not require readjustment.
4. To focus binoculars use the central focusing wheel.
5. Design of eyepiece cushions prevents light leakage from the sides. The eyepiece cushions can be rotated as well as can be taken off as required.



CARE AND MAINTENANCE

Clean the casing with a soft, clean cloth.

2. Use a blower to remove dust and lint.

3. To remove fingerprints and other stains, apply a small amount of lens cleaner to a soft cloth and clean with care.

4. Do not submerge the binoculars into water, they are water resistant but not waterproof

WARRANTY

The Manufacturer warrants its products against defects in materials and workmanship for a period of 3 years from the original date of a purchase. Any device returned for warranty service must be judged by the Manufacturer as having been used according to its original design intents. As such, misuse, neglect, or any abnormal use is not covered by this warranty. The Manufacturer will repair or replace products or parts thereof, which, upon inspection by the Manufacturer, are found to be defective in either materials or workmanship. As a condition of the Manufacturer's obligation regarding warranty work, the product must be returned to the Manufacturer with a satisfactory proof of a purchase. It is highly recommended that you fill out and return your warranty registration card to ensure the warranty coverage. This warranty is null and void if equipment has been altered, tampered with, modified, or otherwise abused, mishandled, or subjected to unauthorized repairs. The Manufacturer disclaims any other warranties, either expressed or implied, except as expressed herein. The sole obligation of The Manufacturer is to repair or replace the covered device.